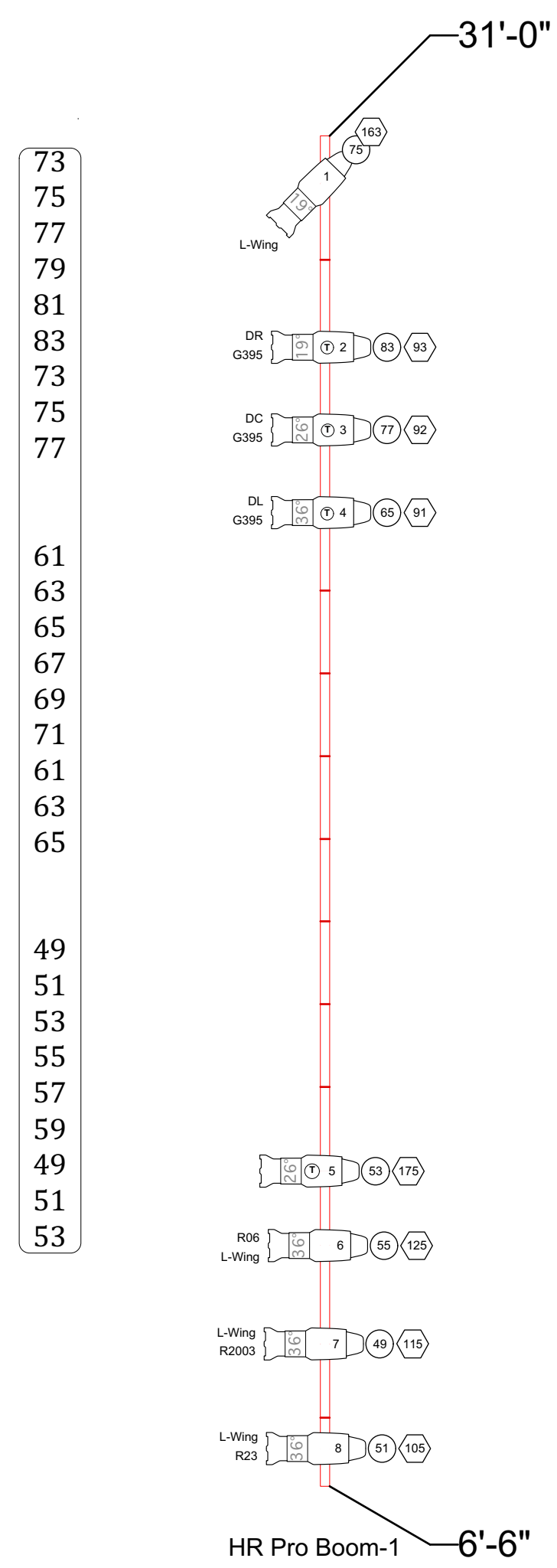
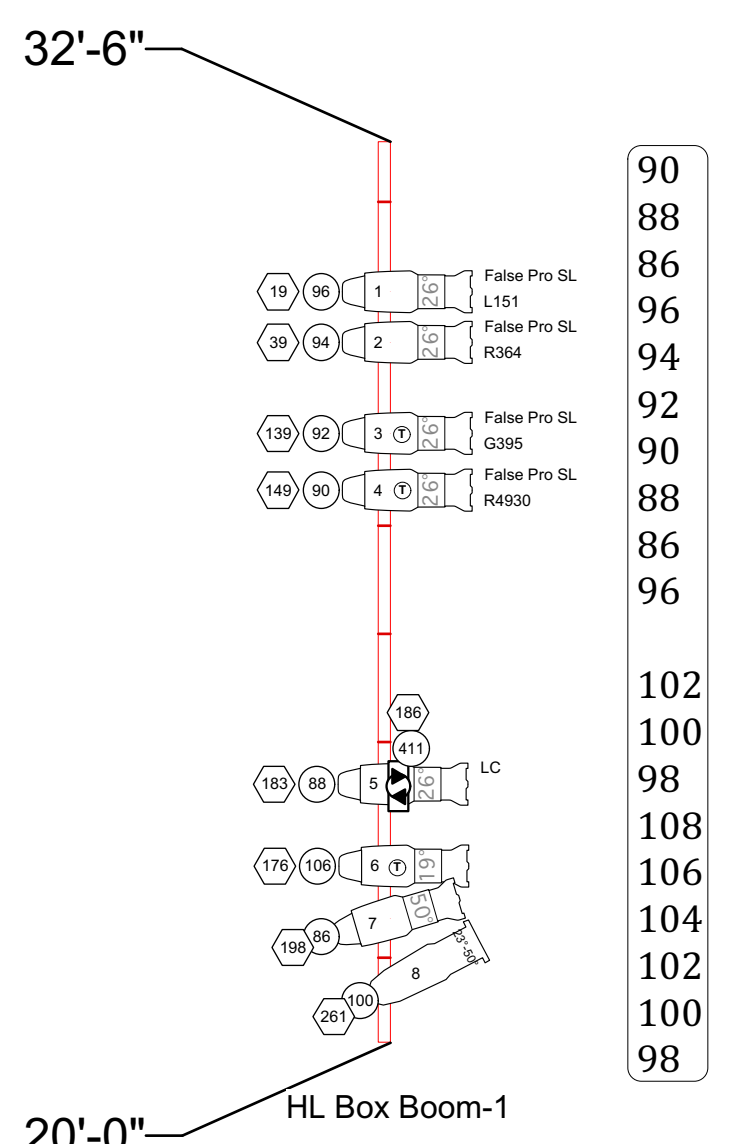


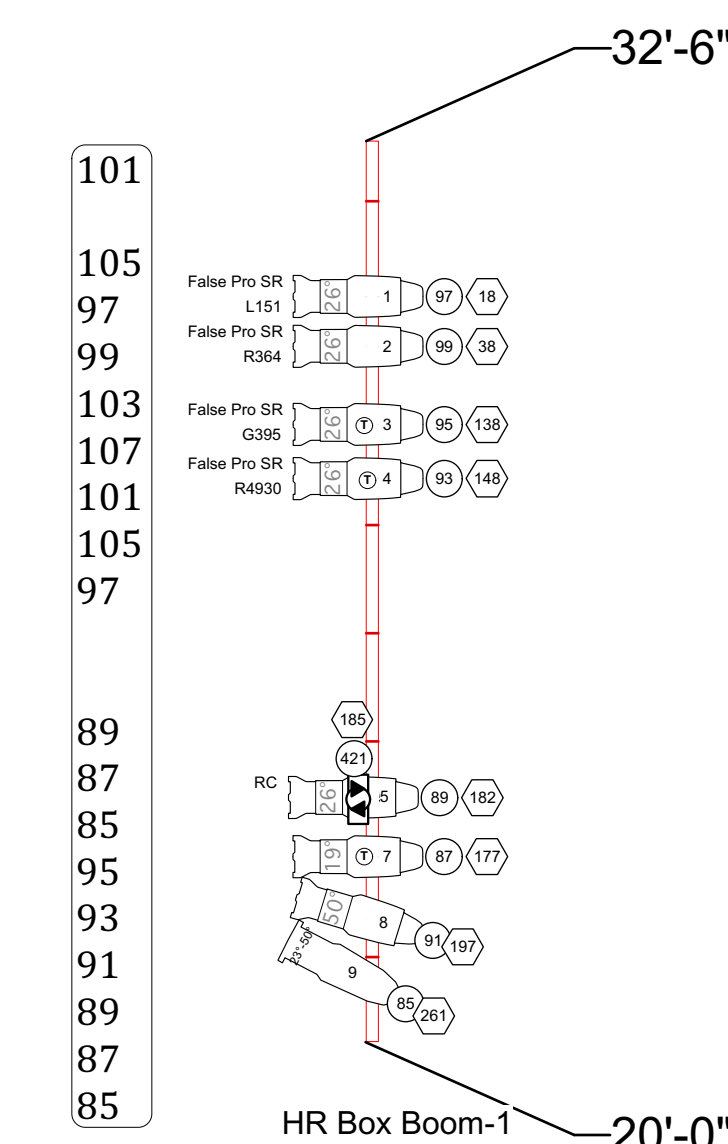
- 74
- 76
- 78
- 80
- 82
- 84
- 74
- 76
- 78
- 62
- 64
- 66
- 68
- 70
- 72
- 62
- 64
- 66
- 50
- 52
- 54
- 56
- 58
- 60
- 50
- 52



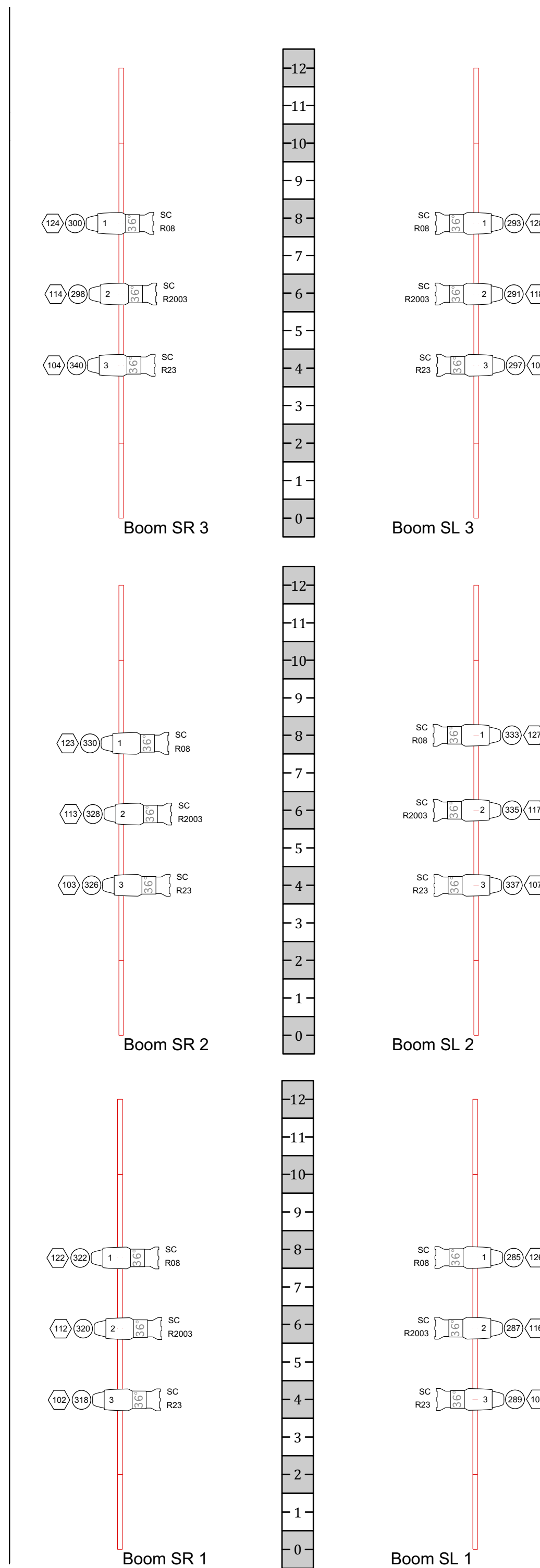
- 73
- 75
- 77
- 79
- 81
- 83
- 73
- 75
- 77
- 61
- 63
- 65
- 67
- 69
- 71
- 61
- 63
- 65
- 49
- 51
- 53
- 55
- 57
- 59
- 49
- 51
- 53



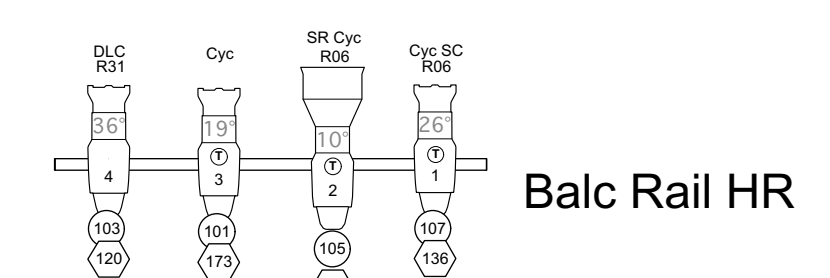
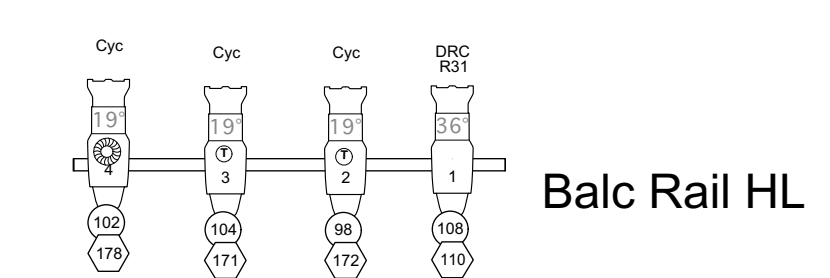
- 90
- 88
- 96
- 94
- 92
- 90
- 88
- 86
- 96
- 102
- 100
- 98
- 108
- 106
- 104
- 102
- 100
- 98



- 101
- 105
- 97
- 99
- 103
- 107
- 101
- 105
- 97
- 89
- 87
- 85
- 95
- 93
- 91
- 89
- 87
- 85



See boom markers on stage for placement.



Symbol Key

Accessory

- 7.5' 4 Leaf Barn Door 4

Device

- GAM TwinSpin Gobo Rotator NA 3

Light

- 6" Fres @ 750w 4
- ETC Source-4 10' @ 750w HPL 16.3lb 1
- ETC Source-4 19' @ 750w HPL 27
- ETC Source 4 26' @ 750w HPL 14lb 53
- ETC Source-4 36' @ 750w HPL 14lb 64
- ETC Source-4 50' @ 750w HPL 14lb 14
- L&E Broad Cyc @ 1kw 11.3lb 24
- L&E Echo @ 500w 48
- PAR 64 MFL @ 1KW PAR64 8lbs 42
- PAR 64 WFL @ 1KW PAR64 8lbs 13
- Strand SL 23/50 @ 575w 15lbs 2

Moving Light

- Iris 1
- Source4 A Template Holder 2
- S4 B Template Holder 7

Static Accessory

- Iris 1
- Source4 A Template Holder 2
- S4 B Template Holder 7

Typical

Color Summary

Color	Size	Count
G120	10'X10"	6
G395	6.25"	18
G430	6.25"	2
G720	6.25"	2
L068	6.25"	2
L068	10'X10"	20
L143	10'X10"	3
L151	6.25"	4
N/C	6.25"	19
N/C	10'X10"	1
R06	6.25"	3
R06	12"	1
R08	6.25"	7
R120	L&E Broad Cyc	8
R121	L&E Broad Cyc	8
R122	L&E Broad Cyc	8
R124	L&E Echo	12
R125	L&E Echo	12
R126	L&E Echo	12
R127	L&E Echo	12
R2003	6.25"	8
R23	6.25"	8
R305	6.25"	17
R31	6.25"	2
R321	7.5"	4
R321	6.25"	4
R34	6.25"	1
R360	6.25"	17
R364	6.25"	6
R388	6.25"	1
R4930	6.25"	16
R63	6.25"	1
R70	6.25"	1
R73	6.25"	2
R85	6.25"	2
R90	10'X10"	4
R89	10'X10"	20
R99	6.25"	2

Plate: 2/3

Director: Matthew Campbell

Lighting Designer: Patrick M. Strain

Master Electrician: Frank Ludwig

Contact Info: 2909 Wild Rose Ln Onalaska, WI 54650

Drawn By: p. m. strain

Title: Light Plot - Booms

Venue: Viterbo University

Date: 8 Oct. 2015

OKLAHOMA

